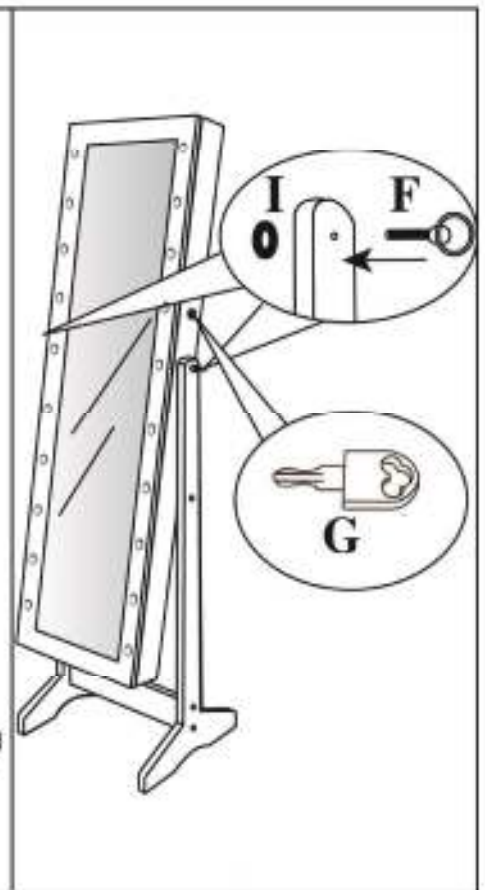
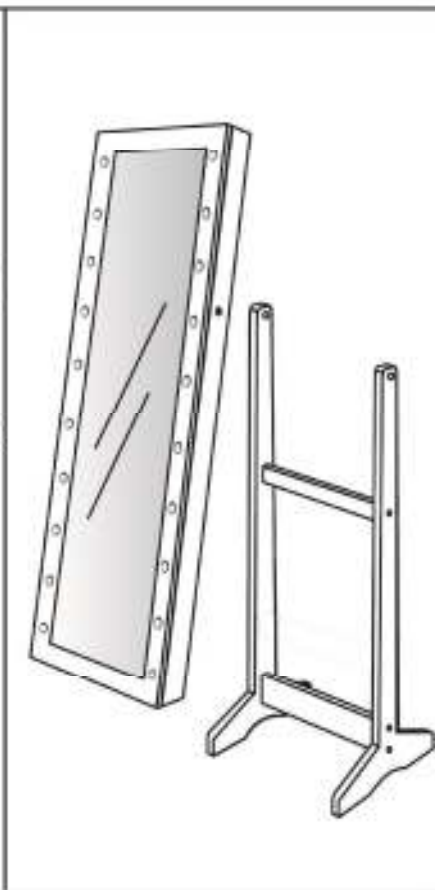
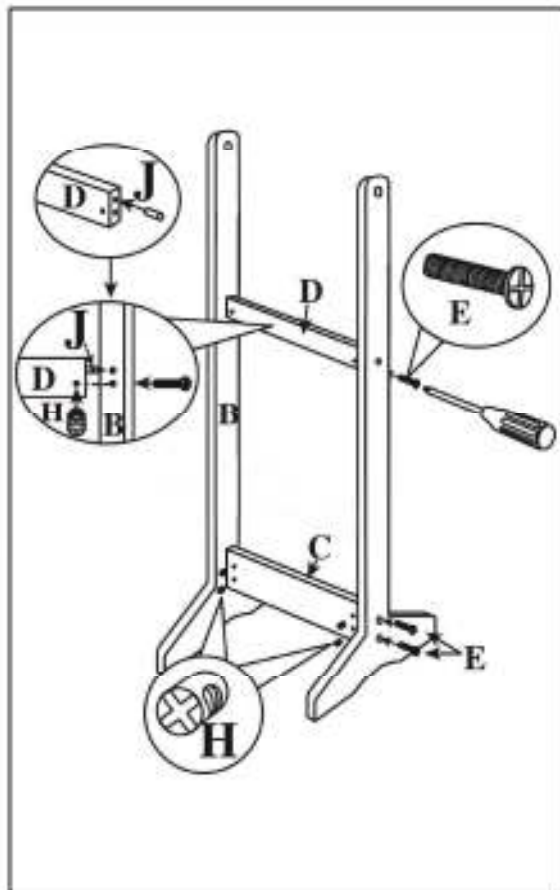
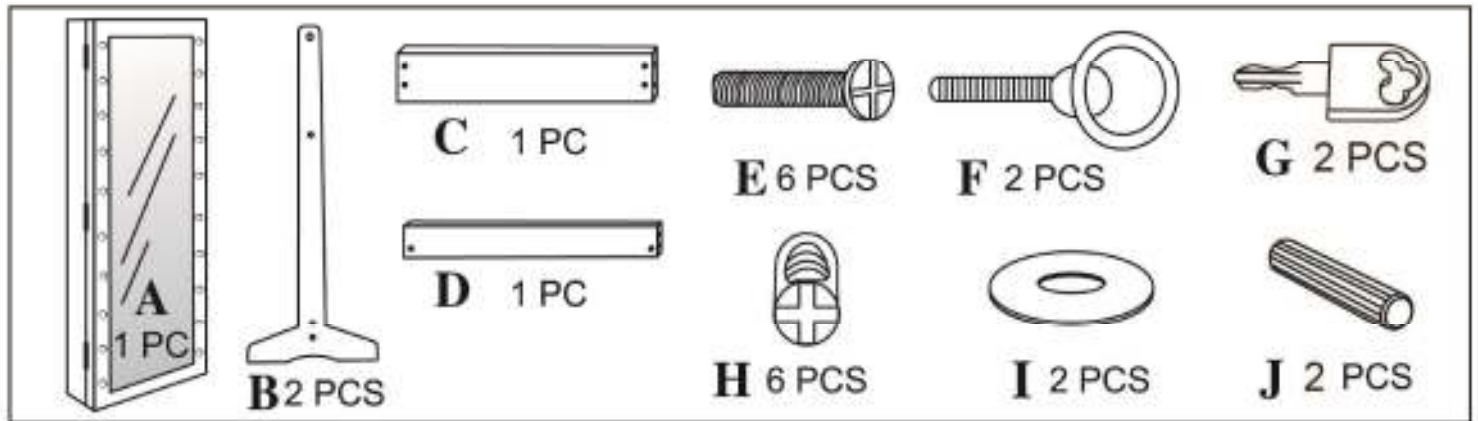


# JAFS2 ASSEMBLY INSTRUCTIONS



## BATTERY INSTRUCTIONS: REQUIRES 3- AA BATTERIES (NOT INCLUDED)

1. Locate the battery pack panel on the inside top of the jewelry cabinet door.
2. Slide the battery tab down to open.
3. Place 3- AA batteries as shown in Figure C.
4. Slide close the battery panel then turn on LED Light with the On/Off Switch.
5. Please replace batteries as a simultaneous set.

Fig B. Slide open panel

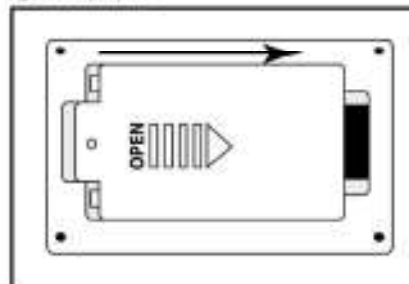


Fig C. Place batteries as shown

